

## Heart of Nines

by Robert W. Strickland 1/19/95

Texas Faceters Guild Newsletter, Jan 95, vol.16, no. 1, p. 18.

2014 USFG Master

Angles for R.I. = 1.760

80 + 17 girdles = 97 facets

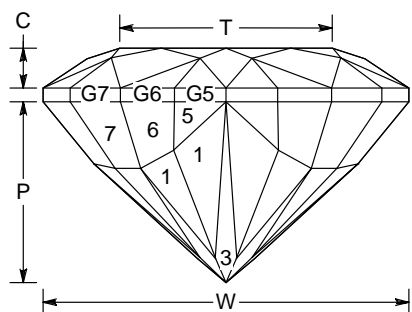
1-fold, mirror-image symmetry

96 index

L/W = 1.003 T/W = 0.581 U/W = 0.575

P/W = 0.494 C/W = 0.109

Vol./W<sup>3</sup> = 0.220



### PAVILION

|     |        |   |
|-----|--------|---|
| 1   | 42.50° | 02-08-13-24-30-34-40-45-51-56-62-66-72-83-88-94 |
| 2   | 42.85° | 19-77   |
| 3   | 41.60° | 16-48-80  |
| 4   | 41.40° | 05-37-59-91                                     |
| 4a  | 41.42° | 27-69   |
| 5   | 68.50° | 38-58   |
| 6   | 70.80° | 36-60   |
| 7   | 70.40° | 34-62   |
| 8   | 64.60° | 31-65   |
| 9   | 50.60° | 24-72   |
| 10  | 44.30° | 17-79   |
| 11  | 58.40° | 96  |
| 12  | 56.10° | 04-92   |
| 13  | 51.50° | 10-86   |
| G5  | 90.00° | 38-58   |
| G6  | 90.00° | 36-60   |
| G7  | 90.00° | 34-62   |
| G8  | 90.00° | 31-65   |
| G9  | 90.00° | 24-72   |
| G10 | 90.00° | 17-79   |
| G11 | 90.00° | 96  |
| G12 | 90.00° | 04-92   |
| G13 | 90.00° | 10-86   |

### CROWN

|       |        |       |
|-------|--------|-------|
| A     | 38.40° | 38-58 |
| B     | 38.30° | 36-60 |
| C     | 37.80° | 34-62 |
| D     | 36.10° | 31-65 |
| E     | 33.60° | 24-72 |
| F     | 29.79° | 17-79 |
| G     | 28.60° | 10-86 |
| H     | 32.00° | 04-92 |
| I     | 34.20° | 96    |
| J     | 29.80° | 02-94 |
| K     | 25.10° | 13-83 |
| L     | 29.10° | 28-68 |
| M     | 35.00° | 35-61 |
| N     | 23.89° | 48    |
| O     | 16.80° | 39-57 |
| P     | 20.90° | 32-64 |
| S     | 24.97° | 96    |
| R     | 16.39° | 07-89 |
| Q     | 14.30° | 21-75 |
| Table | 0.00°  | Table |

Stone to be cut from Synthetic Corundum

Width to be 10 - 12 mm

Girdle to be 0.3 mm +/- 0.1mm

C:\00-USFG\2014 SSC\3-Master Heart of Nines.gem