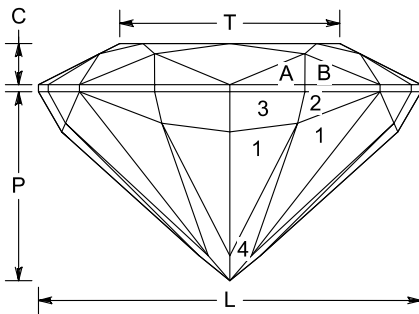


## OMNI Square Cushion

USFG 2015 Premaster Stone  
 By Robert W Strickland 9/28/97  
 Cutting order edited 12/4/2014  
 Angles for R.I. = 1.540  
 73 + 16 girdles = 89 facets  
 4-fold, mirror-image symmetry  
 96 index  
 $L/W = 1.000$   $T/W = 0.574$   $U/W = 0.574$   
 $P/W = 0.493$   $C/W = 0.107$   
 $Vol./W^3 = 0.227$



### PAVILION

1	42.50°	03-09-15-21- 27-33-39-45- 51-57-63-69- 75-81-87-93	Meet at TCP
G1	90.00°	02-22-26-46- 50-70-74-94	Set size of stone
G2	90.00°	06-18-30-42- 54-66-78-90	OMNI: Meet 1-1-G1
2	59.15°	06-18-30-42- 54-66-78-90	Level girdle
3	60.00°	02-22-26-46- 50-70-74-94	Level girdle
4	41.50°	06-18-30-42- 54-66-78-90	Meet 1-1-2-3

### CROWN

A	31.15°	02-22-26-46- 50-70-74-94	Set girdle thickness
B	33.00°	06-18-30-42- 54-66-78-90	Level girdle
C	26.72°	96-24-48-72	Meet A-A at girdle
D	24.49°	12-36-60-84	Meet B-B at girdle
E	14.74°	04-20-28-44- 52-68-76-92	Meet A-B-C-D
T	0.00°	Table	Meet C-E-E

Steps 1, G1, and G2 make and OMNI preform. The girdle line of this preform will not be level.

To be cut in quartz (any color)

12.0mm W +/- 0.1mm Girdle 0.3mm +/- 0.1mm