

A Round Cushion

Designed by Charles Covill

$$H/W = (P+C)/W + .02 = 0.628$$

Angles for R.I. = 1.760

49 + 16 girdles = 65 facets

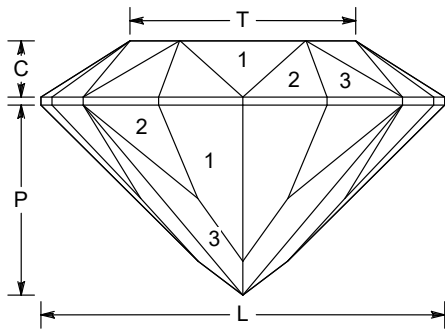
4-fold, mirror-image symmetry

96 index

$$L/W = 1.000 \quad T/W = 0.559 \quad U/W = 0.559$$

$$P/W = 0.469 \quad C/W = 0.139$$

$$\text{Vol.}/W^3 = 0.227$$



PAVILION

g1	90.00°	02-22-26-46-50-70-74-94	Cut 8 equal sides, determine size
1	45.00°	02-22-26-46-50-70-74-94	Cut to false culet
2	43.83°	06-18-30-42-54-66-78-90	Cut to false culet
g2	90.00°	06-18-30-42-54-66-78-90	Level girdle
3	41.00°	08-16-32-40-56-64-80-88	Meet 2 at girdle, make new culet

CROWN

1	32.21°	96-24-48-72	Establish girdle thickness
2	35.00°	02-22-26-46-50-70-74-94	Meet 1 at girdle, continue level girdle
3	35.00°	06-18-30-42-54-66-78-90	Meet 1 & 2, complete level girdle
4	29.00°	12-36-60-84	Meet 1, 2 & 3. Also meet 3 at girdle.
t	0.00°	Table	

D:\Lapidary\Gem_Designs\A Round Cushion.gem