

Twelve Variations 3

Designed by George Beard, Somerville, Vic.

Angles for Corundum

Gemray Cos 86% Iso 94%

Angles for R.I. = 1.760

49 + 12 girdles = 61 facets

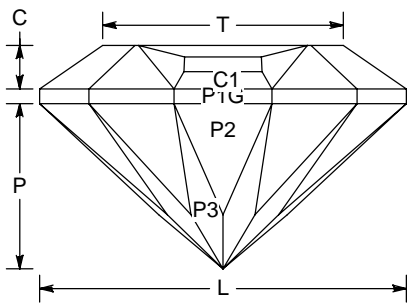
3-fold, mirror-image symmetry

96 index

$L/W = 1.000$ $T/W = 0.656$ $U/W = 0.574$

$P/W = 0.450$ $C/W = 0.118$

$Vol./W^3 = 0.221$



PAVILION

P1G	90.00°	96-08-16-24-32-40-48-56-64-72-80-88	size stone
P2	43.00°	96-08-16-24-32-40-48-56-64-72-80-88	establish girdle
P3	41.00°	04-12-20-28-36-44-52-60-68-76-84-92	meet girdle

CROWN

C1	34.53°	96-08-16-24-32-40-48-56-64-72-80-88	level girdle
C2	30.00°	96-32-64	estimate depth
C3	15.07°	96-32-64	make C1 & C2 equal
C4	32.55°	07-25-39-57-71-89	use meet on C1 and girdle
T	0.00°	Table	meet C1