

Design by IRENE WHITMAN, Roseville, NSW

FT100 Design Competition Entry

Computer work by John Wren, Mt. Waverley, Victoria

Angles for R.I. = 1.540

89 + 8 girdles = 97 facets

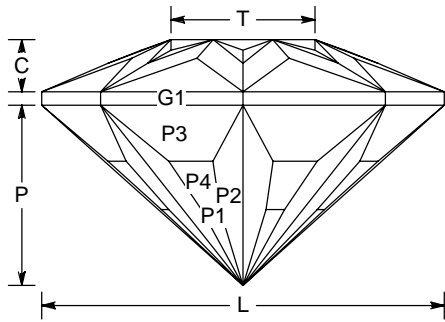
8-fold, mirror-image symmetry

96 index

L/W = 1.000 T/W = 0.357 U/W = 0.357

P/W = 0.448 C/W = 0.130

Vol./W³ = 0.184



PAVILION

P1	42.00°	06-18-30-42- 54-66-78-90
G1	90.00°	06-18-30-42- 54-66-78-90
P2	42.10°	02-10-14-22- 26-34-38-46- 50-58-62-70- 74-82-86-94
P3	48.30°	06-18-30-42- 54-66-78-90
P4	43.10°	06-18-30-42- 54-66-78-90

CROWN

C1	27.00°	06-18-30-42- 54-66-78-90
C2	24.00°	04-08-16-20- 28-32-40-44- 52-56-64-68- 76-80-88-92
C3	22.00°	02-10-14-22- 26-34-38-46- 50-58-62-70- 74-82-86-94
C4	19.20°	96-12-24-36- 48-60-72-84
T	0.00°	Table

C:\STONEGRAPHICS\GemCad\CUTS(Gem)\Irene.gem