

FALCON CREST - by Jerry L.Capps, 1/24/2000

Faceup: COS=71.6 ISO=81.6 Tilt 20: COS=69.3 ISO=80.2

Tilt 30: COS=64.9 ISO=77.2 Tilt 40: COS=49.4 ISO=66.1

Angles for R.I. = 1.760

85 + 14 girdles = 99 facets

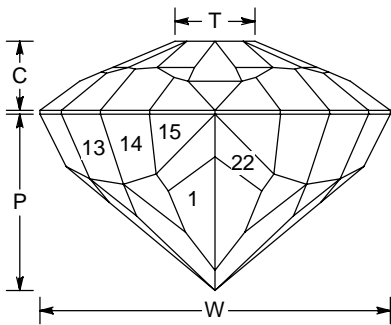
1-fold, mirror-image symmetry

96 index

L/W = 1.129 T/W = 0.228 U/W = 0.228

P/W = 0.503 C/W = 0.197

Vol./W³ = 0.255



PAVILION

1	43.20°	03-09-15-21- 27-33-39-45- 51-57-63-69- 75-81-87-93	TCP
2	90.00°	09-87	Set endpoint
3	90.00°	11-85	Meet center angle (CAM)
4	90.00°	14-82	C.A.M (Center Angle Method)
5	90.00°	19-77	C.A.M
6	90.00°	24-72	C.A.M.
7	90.00°	30-66	C.A.M.
8	90.00°	43-53	Mt Ctr Angle; close endpoint
9	65.15°	43-53	Lvl Gdl
10	61.33°	30-66	Lvl Gdl
11	63.20°	24-72	Lvl Gdl
12	64.44°	19-77	Lvl Gdl
13	65.15°	14-82	Lvl Gdl
14	65.01°	11-85	Lvl Gdl
15	63.59°	09-87	Lvl gdl
16	40.20°	42-54	Mp1-9-1;PCP
17	40.27°	30-66	Mp1-10-1;1-1-16
18	39.72°	19-77	Mp1-12-1;PCP
19	40.65°	36-60	GMP;PCP
20	39.60°	12-84	Mp1-13-1;PCP
21	39.85°	24-72	Mp1-11-1;PCP
22	46.22°	04-92	GMP;MP15-14-1

CROWN

1	36.15°	09-87	Lvl gdl
2	36.43°	11-85	Lvl gdl
3	37.25°	14-82	Lvl gdl
4	36.79°	19-77	Lvl gdl
5	36.17°	24-72	Lvl gdl
6	28.24°	30-66	Lvl gdl
7	32.31°	43-53	Lvl gdl
8	22.65°	96-06-12-18- 24-30-36-42- 48-54-60-66- 72-78-84-90	GMP (36,60 only)
9	26.50°	48	GMP;MP 7-8-8
10	21.70°	06-18-30-42- 54-66-78-90	MP 8-3-8;8-2-8
11	0.00°	Table	MP 10-8-10
12	23.86°	96	GMP;MP 1-8-8