

BarRound1 by Bob Keller

2004 USFG SSC Novice Stone

Material Any

Angles for R.I. = 1.540

37 + 16 girdles = 53 facets

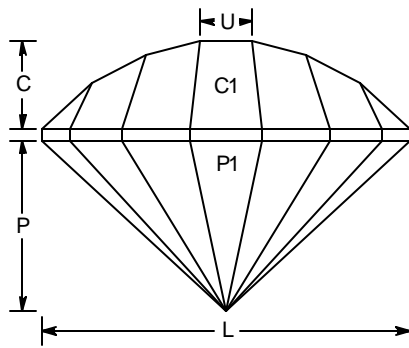
2-fold radial symmetry

96 index

LW = 1.000 TW = 0.727 UW = 0.145

PW = 0.466 CW = 0.237

Vol./W³ = 0.274



PAVILION

P1	43.00°	96-06-12-18-
		24-30-36-42-
		48-54-60-66-
		72-78-84-90
G	90.00°	96-06-12-18-
		24-30-36-42-
		48-54-60-66-
		72-78-84-90

CROWN

C1	60.00°	96-06-12-18-
		30-36-42-48-
		54-60-66-78-
		84-90
C2	42.00°	24-72
C3	28.00°	24-72
C4	14.00°	24-72
T	0.00°	Table

C:\Faceting\GemCad\2004SSC\Novice_Pattern.gem