

Gamma Brilliant

2008 USFG Single Stone Competition
Master Stone

GemCad by Jeff Ford 2007

Angles for R.I. = 1.760

81 + 16 girdles = 97 facets

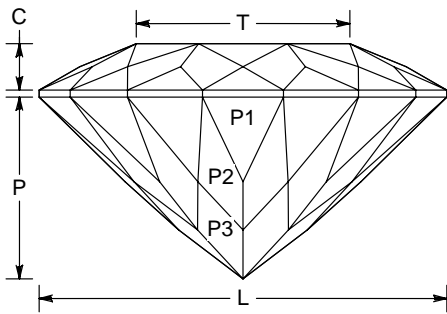
8-fold radial symmetry

96 index

$L/W = 1.000$ $T/W = 0.524$ $U/W = 0.524$

$P/W = 0.446$ $C/W = 0.114$

$Vol./W^3 = 0.196$



PAVILION

g	90.00°	96-06-12-18-24-30-36-42-48-54-60-66-72-78-84-90
P1	44.54°	96-06-12-18-24-30-36-42-48-54-60-66-72-78-84-90
P2	42.53°	03-09-15-21-27-33-39-45-51-57-63-69-75-81-87-93
P3	39.50°	06-18-30-42-54-66-78-90

CROWN

C1	30.00°	96-06-12-18-24-30-36-42-48-54-60-66-72-78-84-90
C2	26.16°	03-09-15-21-27-33-39-45-51-57-63-69-75-81-87-93
C3	22.13°	96-12-24-36-48-60-72-84
T	0.00°	Table

Material: Synthetic Corundum

Width: 12mm +/- .1mm

Girdle: .3mm +/- .1mm

C:\0-USFG\2008SS~1\MATERI~1\3-2008~1.GEM