

### Alpha Brilliant

2008 USFG Single Stone Competition  
Novice Stone

GemCad by Jeff Ford 2007

Angles for R.I. = 1.540

41 + 16 girdles = 57 facets

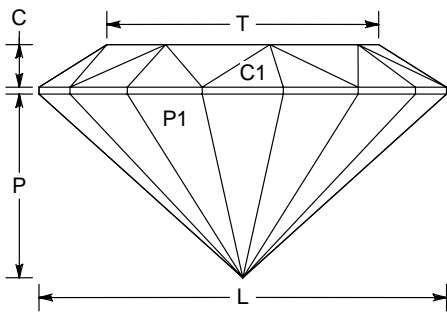
8-fold, mirror-image symmetry

96 index

$L/W = 1.000$   $T/W = 0.667$   $U/W = 0.667$

$P/W = 0.450$   $C/W = 0.104$

$Vol./W^3 = 0.190$



#### PAVILION

g 90.00° 96-06-12-18-24-30-36-42-48-54-60-66-72-78-84-90 cut to meet pb

P1 42.00° 96-06-12-18-24-30-36-42-48-54-60-66-72-78-84-90

#### CROWN

C1 32.00° 96-06-12-18-24-30-36-42-48-54-60-66-72-78-84-90

C2 28.00° 09-21-33-45-57-69-81-93

T 0.00° Table

Material: Cutters Choice

Width: 10mm +/- .5 mm

Girdle: .3mm +/- .1mm

C:\0-USFG\2008SS~1\1-PATT~1\1-2008~1.GEM