

### Rand's Cut Corner Rectangle #1

USFG 2010 SSC PreMaster Stone

by Dan Clayton 2004

Angles for R.I. = 1.540

45 + 8 girdles = 53 facets

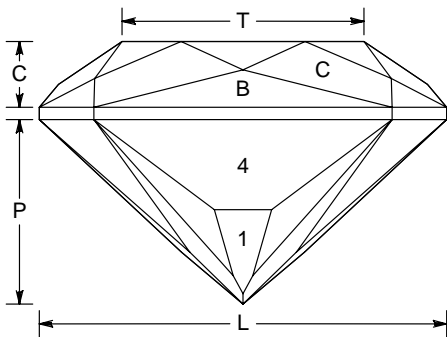
2-fold, mirror-image symmetry

96 index

$L/W = 1.366$   $T/W = 0.811$   $U/W = 0.395$

$P/W = 0.619$   $C/W = 0.221$

$Vol./W^3 = 0.508$



#### PAVILION

1	43.00°	96-08-16-24-	Cut to centerpoint
		32-40-48-56-	
		64-72-80-88	
2	90.00°	16-24-32-64-	set stone length
		72-80	
3	90.00°	96-48	meet 1-1-2-3
4	65.00°	96-48	level girdle
5	41.20°	12-20-28-36-	girdle meetpoint, new PCP
		60-68-76-84	

#### CROWN

A	50.00°	16-24-32-64-	set girdle thickness
		72-80	
B	50.00°	96-48	level girdle
C	32.00°	03-45-51-93	girdle meetpoint
D	35.00°	20-28-68-76	girdle meetpoint
E	22.00°	12-36-60-84	meet C-A-D
F	0.00°	Table	meet E-D-D-E
G	25.84°	96-48	meet C-B-C

Material - Quartz, natural or synthetic

Width - 10mm +/- .1mm

Girdle - .3mm +/- .1mm

C:\0-USFG\2010 SSC\1-Patterns\2-2010 SSC PreMaster.gem