

Mini Cushion Barion Square

USFG 2011 SSC Master Stone

Designed by Alexandre Wolkonsky

Angles for R.I. = 1.760

69 + 16 girdles = 85 facets

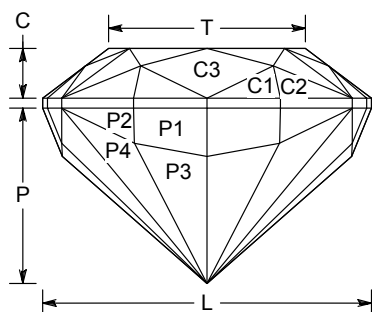
4-fold, mirror-image symmetry

96 index

$L/W = 1.000$ $T/W = 0.599$ $U/W = 0.599$

$P/W = 0.533$ $C/W = 0.151$

$Vol./W^3 = 0.310$



PREFORM

PF1	41.31°	01-23-25-47- 49-71-73-95
PF2	40.16°	03-21-27-45- 51-69-75-93
G1	90.00°	03-21-27-45- 51-69-75-93
G2	90.00°	01-23-25-47- 49-71-73-95

PAVILION

G1	90.00°	01-23-25-47- 49-71-73-95
G2	90.00°	03-21-27-45- 51-69-75-93
P1	67.79°	01-23-25-47- 49-71-73-95
P2	68.00°	03-21-27-45- 51-69-75-93
P3	41.80°	03-21-27-45- 51-69-75-93
P4	41.00°	09-15-33-39- 57-63-81-87

CROWN

C1	40.03°	01-23-25-47- 49-71-73-95
C2	39.84°	03-21-27-45- 51-69-75-93
C3	37.00°	96-24-48-72
C4	28.28°	08-16-32-40- 56-64-80-88
C5	23.78°	04-20-28-44- 52-68-76-92
T	0.00°	Table

Material - Synthetic Corundum - any color

Width - 12mm +/- .1mm

Girdle - .3mm +/- .1mm