

CHEVHEXCZ

2012 USFG Master

Design by Charles Moon and Roscoe Clark 2011

Angles for R.I. = 2.160

67 + 6 girdles = 73 facets

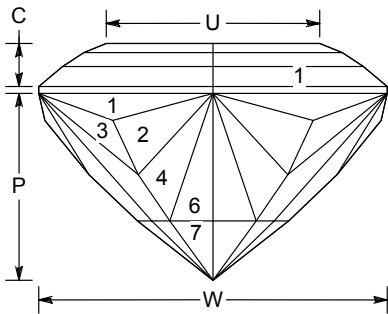
3-fold, mirror-image symmetry

96 index

$L/W = 1.155$ $T/W = 0.707$ $U/W = 0.612$

$P/W = 0.536$ $C/W = 0.123$

$Vol./W^3 = 0.279$



PAVILION

	90.00°	08-24-40-56-72-88
1	77.35°	08-24-40-56-72-88
2	51.42°	06-26-38-58-70-90
3	50.93°	11-21-43-53-75-85
4	46.05°	04-28-36-60-68-92
5	44.41°	15-17-47-49-79-81
6	44.01°	02-30-34-62-66-94
7	41.28°	02-30-34-62-66-94
8	40.00°	15-17-47-49-79-81

CROWN

1	40.00°	08-24-40-56-72-88
2	33.00°	08-24-40-56-72-88
3	22.00°	08-24-40-56-72-88
T	0.00°	Table

Material - CZ - any color

Width - 12mm +/- .1mm - Judges will measure W Flat to Flat

Girdle - .3mm +/- .1mm