

TABLE FRACTION	0.50	
CROWN MAIN	45.00	
STAR	31.33	"STANDARD STAR"
BREAK	50.10	

TABLE FRACTION	0.50	
CROWN MAIN	45.00	
STAR	30.00	"C-15"
BREAK	49.71	

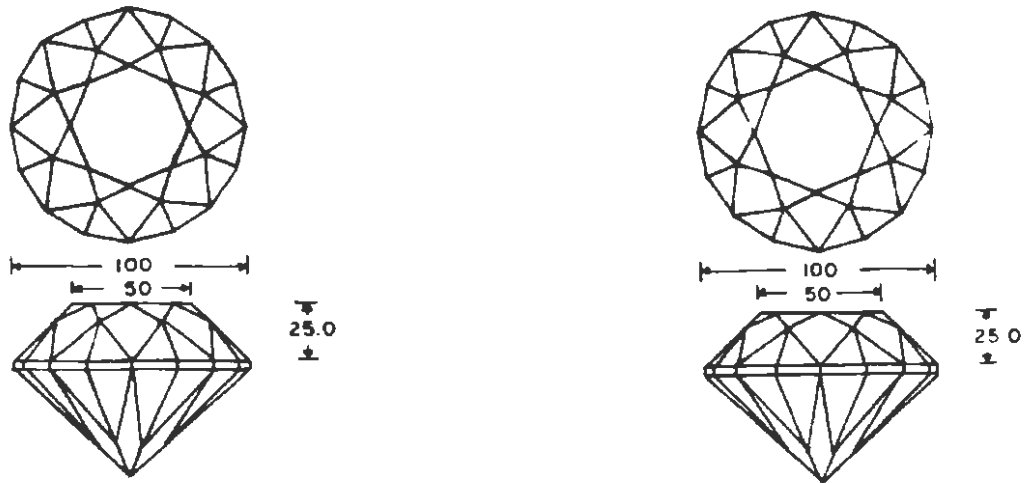


Figure 7 PLAN AND ELEVATION VIEW OF T = 0.50 and C = 45.00 DESIGN

Under these conditions the two different criteria yield designs which look almost alike

TABLE FRACTION	0.75	
CROWN MAIN	15.00	
STAR	4.14	"STANDARD STAR"
BREAK	21.90	

TABLE FRACTION	0.75	
CROWN MAIN	15.00	"C-15"
STAR	0.00	
BREAK	19.94	

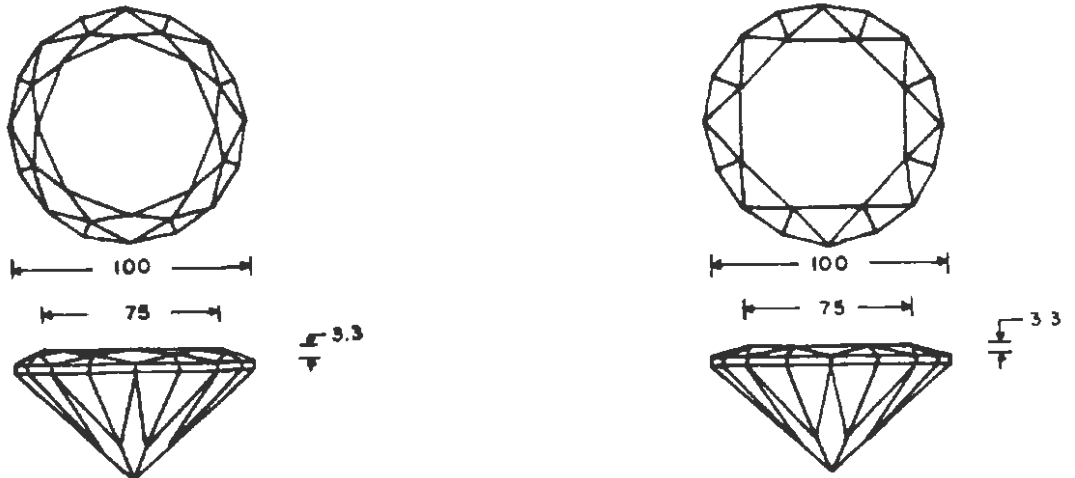


Figure 8 PLAN AND ELEVATION VIEW OF T = 0.75 and C = 15.00 DESIGN

Note under the "C-15" criterion the "Star" facet completely disappears giving a Table outline actually formed by the "Main" facet instead of the "Star". However, even with this extreme Table fraction the "Standard Star" criterion still gives a design which resembles a "Standard Brilliant" with a very shallow crown.