

TABLE FRACTION	0.75	
CROWN MAIN	30.00	
STAR	8.86	"STANDARD STAR"
BREAK	40.89	

TABLE FRACTION	0.75	
CROWN MAIN	30.00	
STAR	15.00	"C-15"
BREAK	50.21	

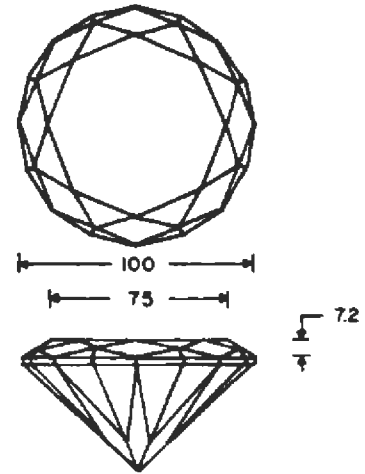
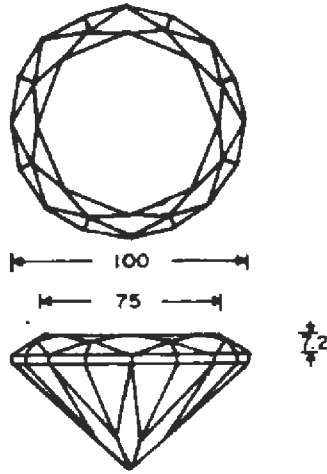


Figure 9 PLAN AND ELEVATION VIEW OF T = 0.75 and C = 30.00 DESIGN
 With this extreme table fraction the "C-15" criterion gives such large "Star" facets that it threatens to eliminate the "Break" facets.

TABLE FRACTION	0.75	
CROWN MAIN	45.00	
STAR	15.11	"STANDARD STAR"
BREAK	56.31	

TABLE FRACTION	0.75	
CROWN MAIN	45.00	
STAR	30.00	"C-15"
BREAK	NA (NEGATIVE)	

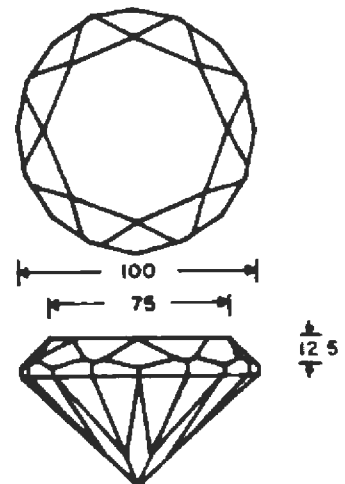
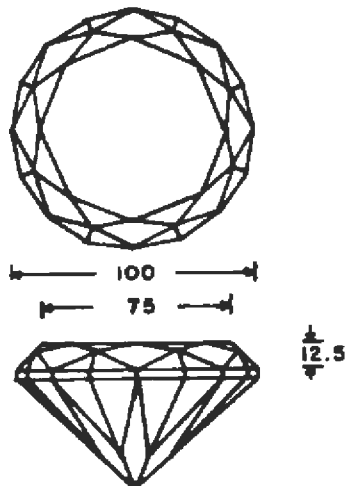


Figure 10 PLAN AND ELEVATION VIEW OF T = 0.75 and C = 45.00 DESIGN
 With this combination the "Break" facet calculates as a negative number (graphically it results in overcutting the girdle so that an even girdle is not possible) under the "C-15" criterion.