

Figure 1 STANDARD BRILLIANT CUT ...RELATIONSHIP BETWEEN STAR AND MAIN ANGLE

Curves shown are for typical table sizes (25, 50, 66, and 75 percent of the diameter at the girdle) for the "Standard Star" criterion and also for the "C-15" criterion.

TABLE FRACTION	0.25	TABLE FRACTION	0.25
CROWN MAIN	15.00	CROWN MAIN	15.00
STAR	12.11 "STANDARD STAR"	STAR	0.00 "C-15"
BREAK	16.51	BREAK	15.69

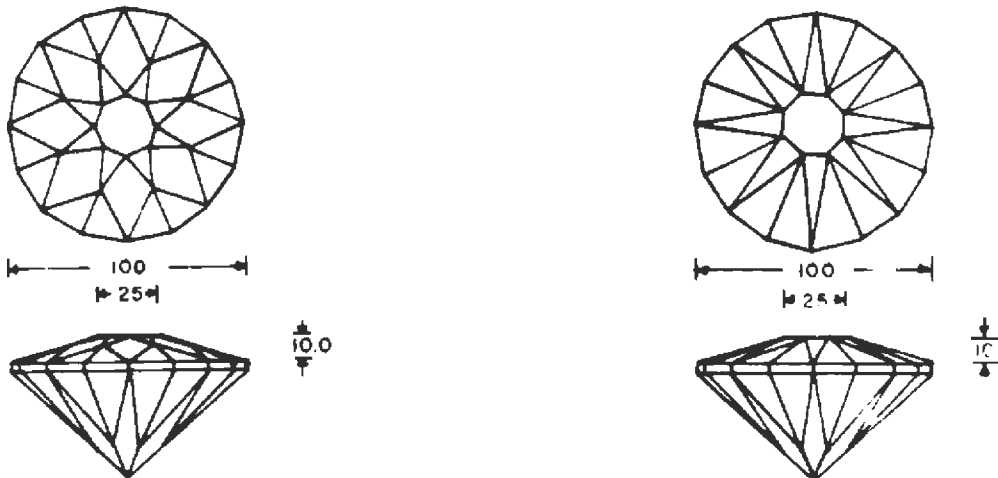


Figure 2 PLAN AND ELEVATION VIEW OF T = 0.25 and C = 15.00 degree DESIGN  
 Note under the "C-15" criterion the "Star" facet completely disappears.