

TABLE FRACTION	0.25	
CROWN MAIN	30.00	
STAR	24.80	"STANDARD STAR"
BREAK	32.57	

TABLE FRACTION	0.25	
CROWN MAIN	30.00	
STAR	15.00	"C-15"
BREAK	31.34	

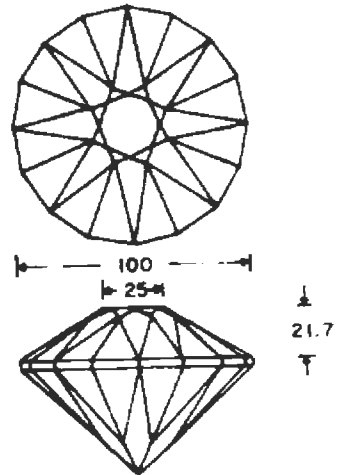
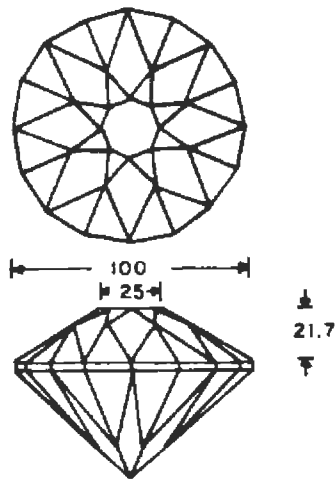


Figure 3 PLAN AND ELEVATION VIEW OF T = 0.25 and C = 30.00 DESIGN

Note star angles on "C-15" design are much smaller (right side sketch).

TABLE FRACTION	0.25	
CROWN MAIN	45.00	
STAR	38.68	"STANDARD STAR"
BREAK	47.89	

TABLE FRACTION	0.25	
CROWN MAIN	45.00	
STAR	30.00	"C-15"
BREAK	46.64	

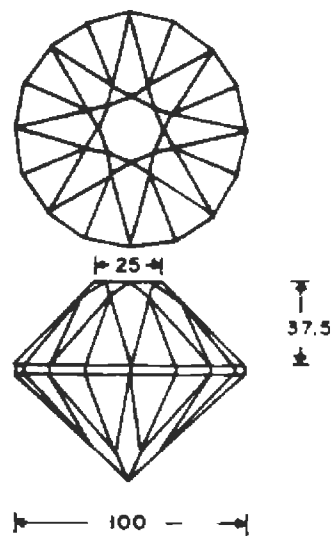
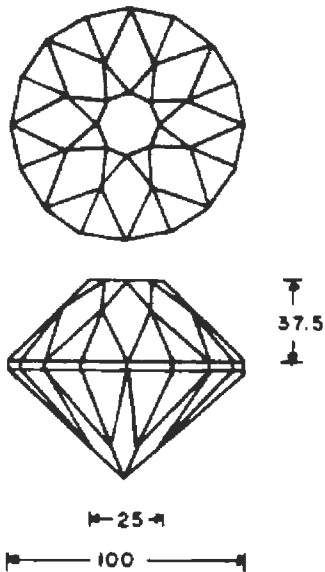


Figure 4 PLAN AND ELEVATION VIEW OF T = 0.25 and C = 45.00 DESIGN