

Crown facets are all step cuts, surprisingly they give plenty of brilliance. Some variations are sometimes given for a single shape and thus are numbered . . . 1 , 2 , 3 etc. Number one design is always the simpler design with fewer facets intended for very small stones. As the number increases so does the number of pavilion facets and larger stones can be cut.

Up to now the series consists of . . .

- Mini Equilateral Barton
- Mini Equilateral Barton Cut Corner
- Mini Square Barton
- Mini Hexagon Barton
- Mini Octagon Barton

other designs such as kite or lozenge are possible.

Editor Note: Two of Mr Wolkonsky's "MINI BARION" designs appear in this issue and others will be appearing in future issues. Robert Long and I are in the final stages of preparing our FACET DESIGN Volume 6 BARION CUTS for publication. Under the criteria we adopted for the book, to be considered a BARION three characteristics are essential:

- [1] presence of a "halffmoon facet"
- [2] presence of a "brilliant center" i.e. mains coming to a common centerpoint that is not the same centerpoint as the mains
- [3] presence of at least three "fan" facets which meet the halffmoon

Some of the MINI-BARION cuts do not have all of these characteristics in the same design. However to preclude confusion we have opted to retain Mr Wolkonsky's nomenclature for his designs, because they are certainly related to the Barton's.

Originally these designs were for a "48-index" (or a "32-index"). Since these gears are not common in this country (Wolkonsky is from France) we changed the index gear to either "96-index" or "64-index" as appropriate. There should be no technical impact from these changes except convenience to our US readers. Along with the text Mr Wolkonsky furnished actual cut Quartz stones which were evaluated by the "Reflectance Scatter" technique. Some suggestions were made based on this analysis and where Mr Wolkonsky subsequently made modifications which he considered improvements the design carry an addition letter designation e.g. #1 became #1B.

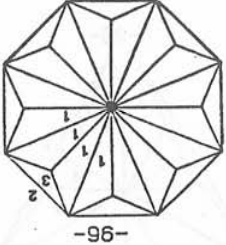
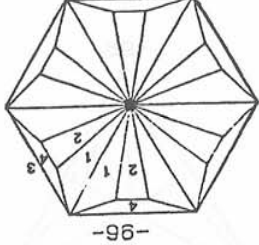
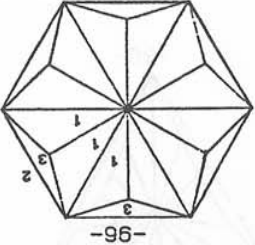
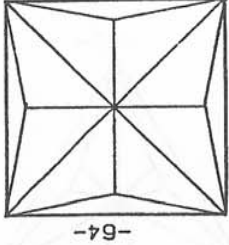
<p>21.121 MINI OCTAGON BARION</p> 	<p>28.078 MINI HEXAGON BARION #2</p> 
<p>28.077 MINI HEXAGON BARION #1</p> 	<p>11.048 MINI SQUARE BARION #1</p> 

Figure 2 Pavilion Diagrams for MINI BARION Designs
(Crowns are all step cuts)