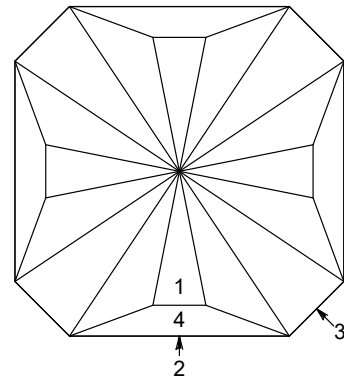
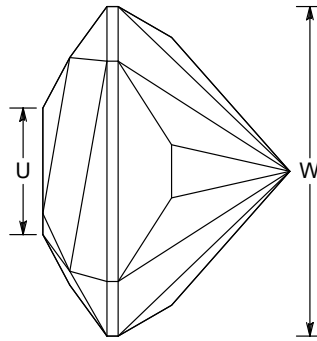
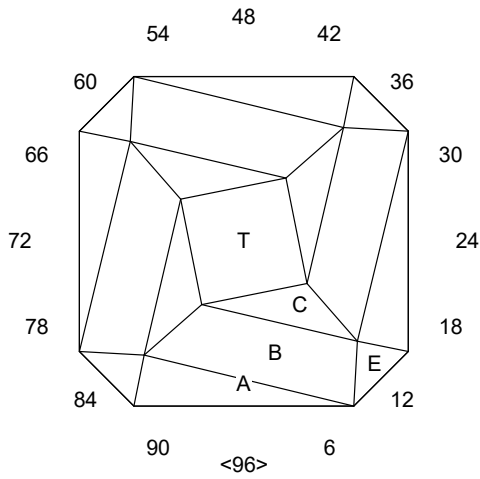


2018 USFG Pre-Master Stone



Trottole

Marco Voltolini

Angles for R.I. = 1.540

37 + 8 girdles = 45 facets

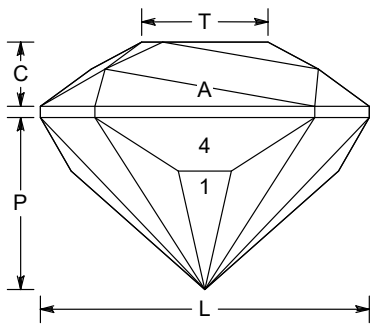
4-fold radial symmetry

96 index

$L/W = 1.000$ $T/W = 0.384$ $U/W = 0.384$

$P/W = 0.522$ $C/W = 0.195$

$Vol./W^3 = 0.312$



PAVILION

1	41.50°	96-06-12-18- 24-30-36-42- 48-54-60-66- 72-78-84-90	Cut to centerpoint
2	90.00°	96-24-48-72	Set stone size
3	90.00°	12-36-60-84	
4	60.00°	96-24-48-72	

CROWN

A	36.19°	96-24-48-72	Set girdle thickness
B	30.00°	01-25-49-73	Meet girdle
C	22.13°	03-27-51-75	Meet A, B
E	40.72°	12-36-60-84	Meet A, B, C, girdle
T	0.00°	Table	Meet B, C

Designed initially for quartz (RI - 1.54), but works well with higher RI's

Material: YAG (Yttrium Aluminum Garnet)

Width: 12 mm +/- 0.1 mm

Girdle: 0.3 mm +/- 0.1 mm

$L/W = 1.00$ mm with the calculated length +/- 0.1 mm