

USFG SSC 2021 - Novice

Simple Round Brilliant Alternative by Dennis Anderson
Instructions by Tom Mitchell

Facet Data

Pavilion facets	18	Pavilion tiers	2
Girdle facets	12	Girdle tiers	1
Crown facets	24+1	Crown tiers	3+1
Total facets	55	Total tiers	7

Size Data

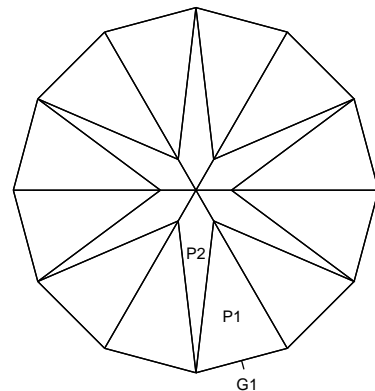
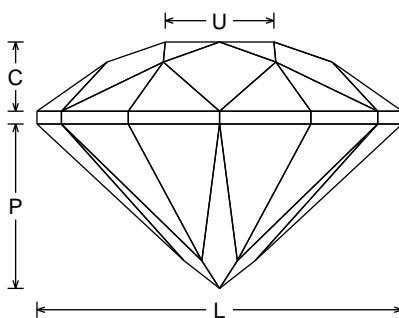
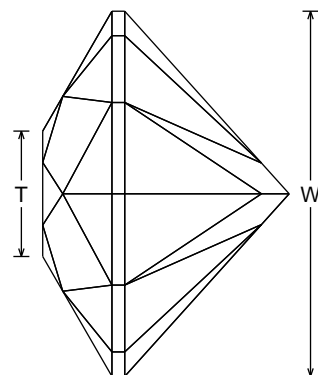
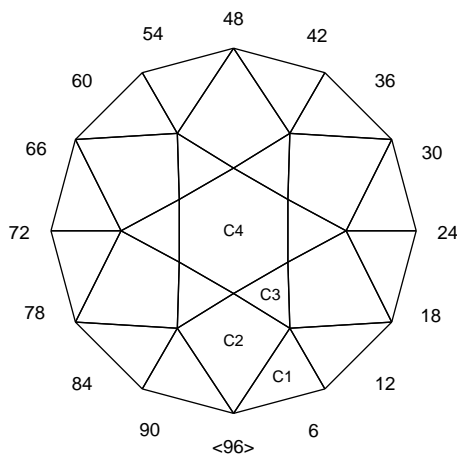
L/W	1.000	P/W	0.450
T/W	0.343	C/W	0.190
U/W	0.297	H/W	0.675
V/W ³	0.216	P/C	2.375

Design Data

Angles for R.I.	1.54
Symmetry	6-fold, mirror
Index gear	96

Comments

Stone Width: 12.0 mm +/- 0.3 mm
Girdle Width: 0.5 mm +/- 0.3 mm
Material To Cut: Cutters Choice



Pavilion

P1	43.90	04-12-20-28-36-44-52-60-68-76-84-92	Cut to temporary Center Point
G1	90.00	04-12-20-28-36-44-52-60-68-76-84-92	Set stone size and Level Girdle
P2	42.00	96-16-32-48-64-80	Create permanent center, Meet G1

Crown

C1	35.99	04-12-20-28-36-44-52-60-68-76-84-92	Establish Girdle Thickness, Level Girdle
C2	30.00	96-16-32-48-64-80	Meet C1, G1
C3	19.01	08-24-40-56-72-88	Meet C1, C2
C4	0.00	Table	Meet C2, C3