

2022 USFG SSC Pre-Master - Narcolepsy

by Arya Akhavan (April 2013)

Facet Data

Pavilion facets	20	Pavilion tiers	3
Girdle facets	12	Girdle tiers	2
Crown facets	32+1	Crown tiers	6+1
Total facets	65	Total tiers	12

Size Data

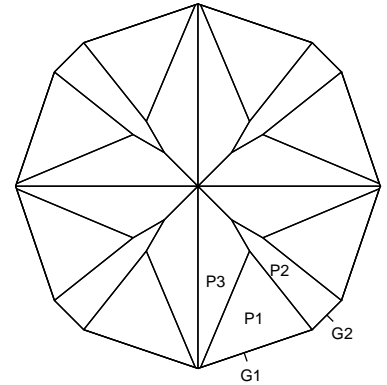
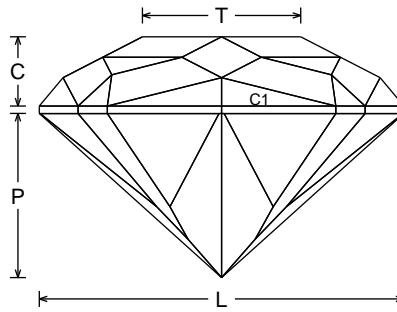
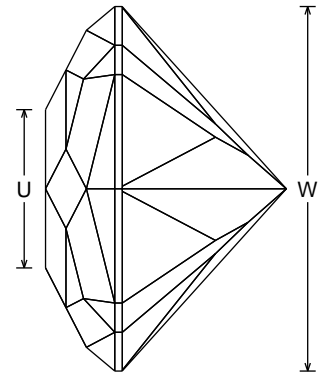
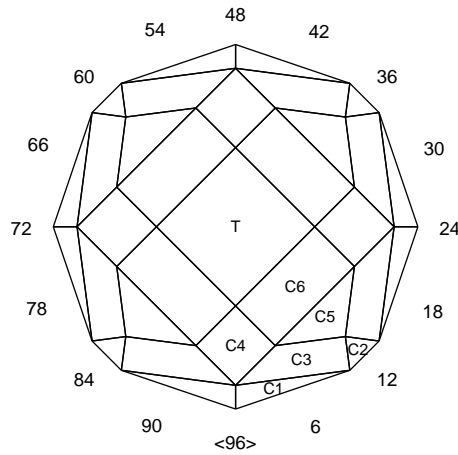
L/W	1.000	P/W	0.450
H/W	0.661	C/W	0.190
V/W ³	0.215	P/C	2.372

Design Data

Angles for R.I.	1.65
Symmetry	4-fold, mirror
Index gear	96

Comments

Stone Size (W) is 12 mm +/- .3 mm
 Girdle Width is .5 mm +/- .3 mm
 Material is Corundum



Pavilion

P1	44.56	05-19-29-43-53-67-77-91	Cut to centerpoint.
P2	43.00	12-36-60-84	Meet at culet.
G1	90.00	05-19-29-43-53-67-77-91	Set stone size.
G2	90.00	12-36-60-84	Level girdle.
P3	43.00	04-20-28-44-52-68-76-92	Meet P1, G1

Crown

C1	51.60	05-19-29-43-53-67-77-91	Set girdle width.
C2	49.19	12-36-60-84	Level girdle.
C3	43.56	06-18-30-42-54-66-78-90	Meet G1, G2, C1, C2
C4	27.24	96-24-48-72	Meet C1, C3
C5	22.14	12-36-60-84	Meet C2, C3
C6	20.00	12-36-60-84	Meet C3, C4, C5
T	0.00	Table	Meet C4, C6