

Regal Eye of Zul

2024 USFG Single Stone Competition - PreMaster
by Arya Akhavan (October 2017)

Facet Data

Pavilion facets	36	Pavilion tiers	4
Girdle facets	16	Girdle tiers	2
Crown facets	32+1	Crown tiers	4+1
Total facets	85	Total tiers	11

Size Data

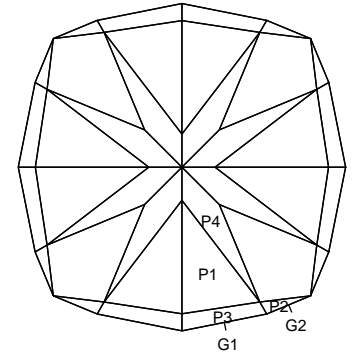
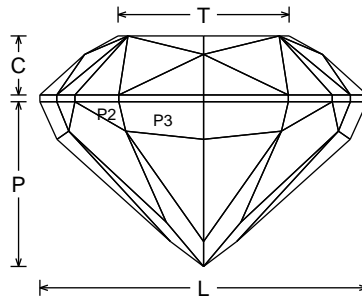
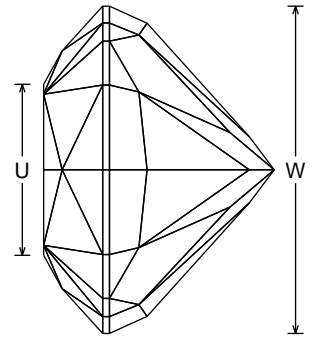
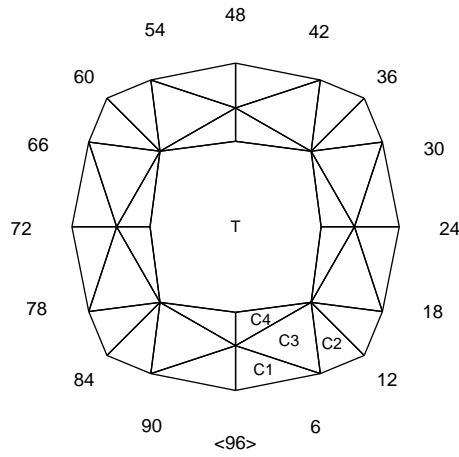
L/W	1.000	P/W	0.503
H/W	0.704	C/W	0.180
V/W ³	0.273	P/C	2.791

Design Data

Angles for R.I.	1.61
Symmetry	4-fold, mirror
Index gear	96

Comments

Stone Size (W) is 12 mm +/- 0.2 mm
Girdle Width is .5 mm +/- 0.2 mm
Material is Topaz (can be synthetic)



Pavilion

P1	43.00	04-12-20-28-36-44-52-60-68-76-84-92	Cut to centerpoint.
G1	90.00	03-21-27-45-51-69-75-93	Set stone size.
G2	90.00	06-18-30-42-54-66-78-90	Meet P1, G1
P2	65.00	06-18-30-42-54-66-78-90	Meet P1, G1; level girdle.
P3	65.99	03-21-27-45-51-69-75-93	Level girdle.
P4	41.00	08-16-32-40-56-64-80-88	Meet P2, P3

Crown

C1	42.71	03-21-27-45-51-69-75-93	Set girdle width.
C2	40.40	06-18-30-42-54-66-78-90	Level girdle.
C3	39.66	04-20-28-44-52-68-76-92	Meet G1, G2, C1, C2
C4	29.18	02-22-26-46-50-70-74-94	Meet C1, C3; C2, C3
T	0.00	Table	Meet C2, C3, C4